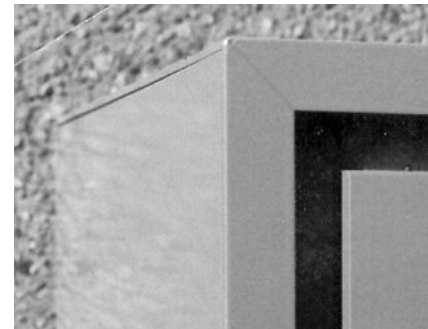


# Architectural Edge Frames



## Your One Source For Quality Sign Systems



INSET EDGE FRAME

Introduced in 1992, ABC's four new EDGE FRAMES bring totally new construction techniques to building aluminum monument signs.

Miter cut and weld the extruded aluminum Edge Frame to form the perimeter framework of a sign, in the same manner as with angle iron.

Except for the Square-Edge Frame, the frame is exposed as a decorative part of the sign, adding architectural detail and interest to the finished cabinet.



RADIUS EDGE FRAME

Assemble the aluminum faces and filler to the Edge Frame with .040" x 1" Very High Bond (VHB) tape. This results in smooth, seamless, perfect surfaces without studs, welds or mechanical fasteners. Heat deformation, hole drilling, or dimpling are eliminated. It also eliminates the labor normally required for filling, grinding and sanding the faces for painting. A few tack welds may be used inside the face to the face Edge Frame if desired, but are not really necessary, as the VHB tape, inch for inch, is stronger than tack welding or rivets, and is permanent.

- Totally new construction technique!
- Monolithic, seamless construction.
- Appears to be machined from a solid block.
- Perfect construction with minimum labor.
- Eliminates studs, welds, rivets, fasteners.

The face-to-face cabinet thickness can be anything desired. The Edge Frames are connected by cross members of 1" thin-wall aluminum square tube, welded (or riveted) to the lower flange of any Edge Frame. These cross members can be quickly cut with a radial saw in the quantity desired to a uniform length. Normally these cross members are approximately 30" on center.

The precision tolerance of the extruded aluminum parts will place the 1" square tube cross members just under the filler, with a maximum clearance of .015"

Internal service access to the lighting system is best obtained by fastening one filler to the frame with counter-sunk metal screws instead of VHB tape. In this case, use ABC's neoprene pressure sensitive Gasket tape under the removable filler for a water seal. This tape is a U.L. listed component.

Three of the Edge Frames were designed to specifically use .080 aluminum faces and fillers with .040 thick x 1" with VHB Tape. If .100 faces are desired, use the .025 x 1" VHB tape instead, and the mating surfaces of the faces, fillers and Edge Frames will still be flush as designed.

When used from routed aluminum faces with close-tolerance, routed push-through plastic letters, the quality of finish is unparalleled, sure to please the most discriminating architect.

ABC can also provide precision fabrication services using these techniques, routing the faces and letters to close tolerance on our high-tech CAD/CAM machines.



All bronze anodized surfaces for this sign made welding impractical. Copy and logo size are half-inch thick white acrylic, pushed through machine routed faces, projecting 3/8" ABC's new Square Edge Frame with VHB tape construction was the perfect solution.

### Sign Products Division:

- Access Frames
- Hinge Frames
- Conventional Frames
- Retro Frames
- Awning System
- Variety of Flexible Face Substrates
- Architectural Systems
- Wide-Fab Frame Systems
- Post & Panel System

### Wholesale Manufacturing Division:

- Assembled Sign Frames
- Knock-Down Kits & Cabinets
- Decorated Faces  
Heat Transfer, Painted, Laminated Vinyl
- Computer Routing Services  
Letter, Backgrounds, Faces
- Complete Signage Package
- Strictly Wholesale To The Trade
- Quality, Service, Competitive Pricing

### Computer Products Division:

- Computer Systems
- Sign Design Software
- ABC Sign Estimating System
- Scanners, Printers, Vinyl Cutters
- ABC Sign Machine—Automated Routing Systems
- Large Format Ink Jet Printers



Visit our Website to review all of ABC's fine products...  
Designed by Sign People for Sign People!  
[www.abcsignproducts.com](http://www.abcsignproducts.com)

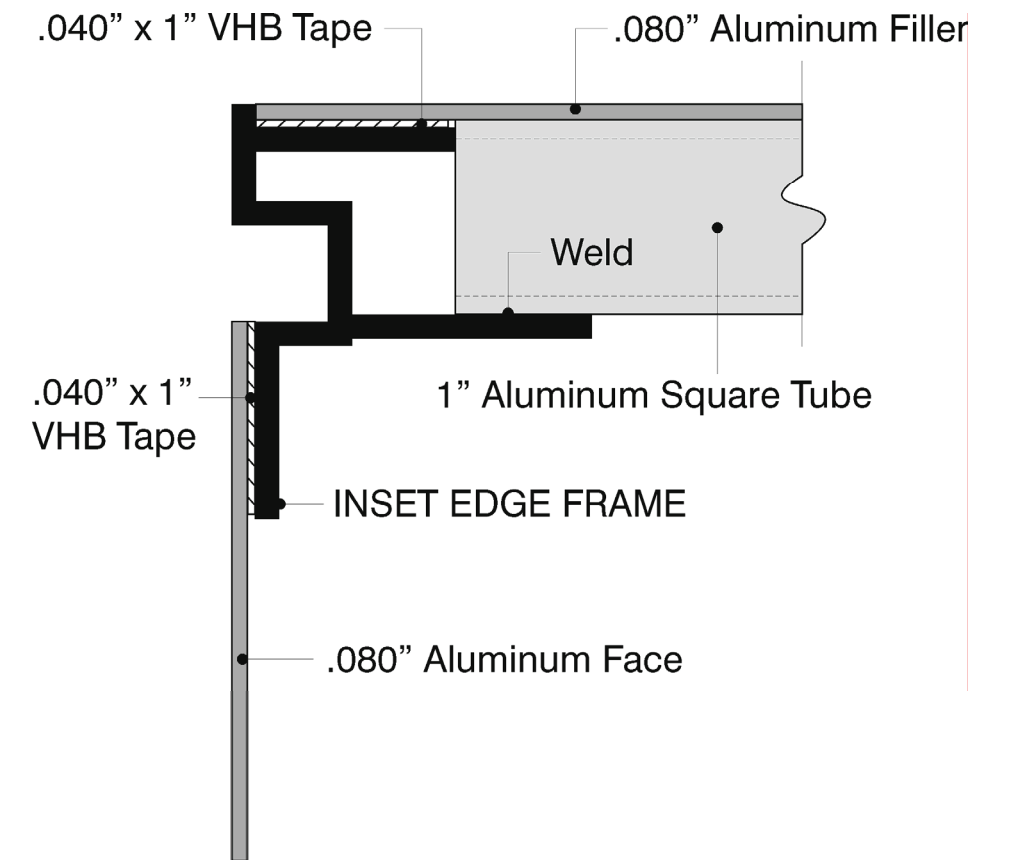
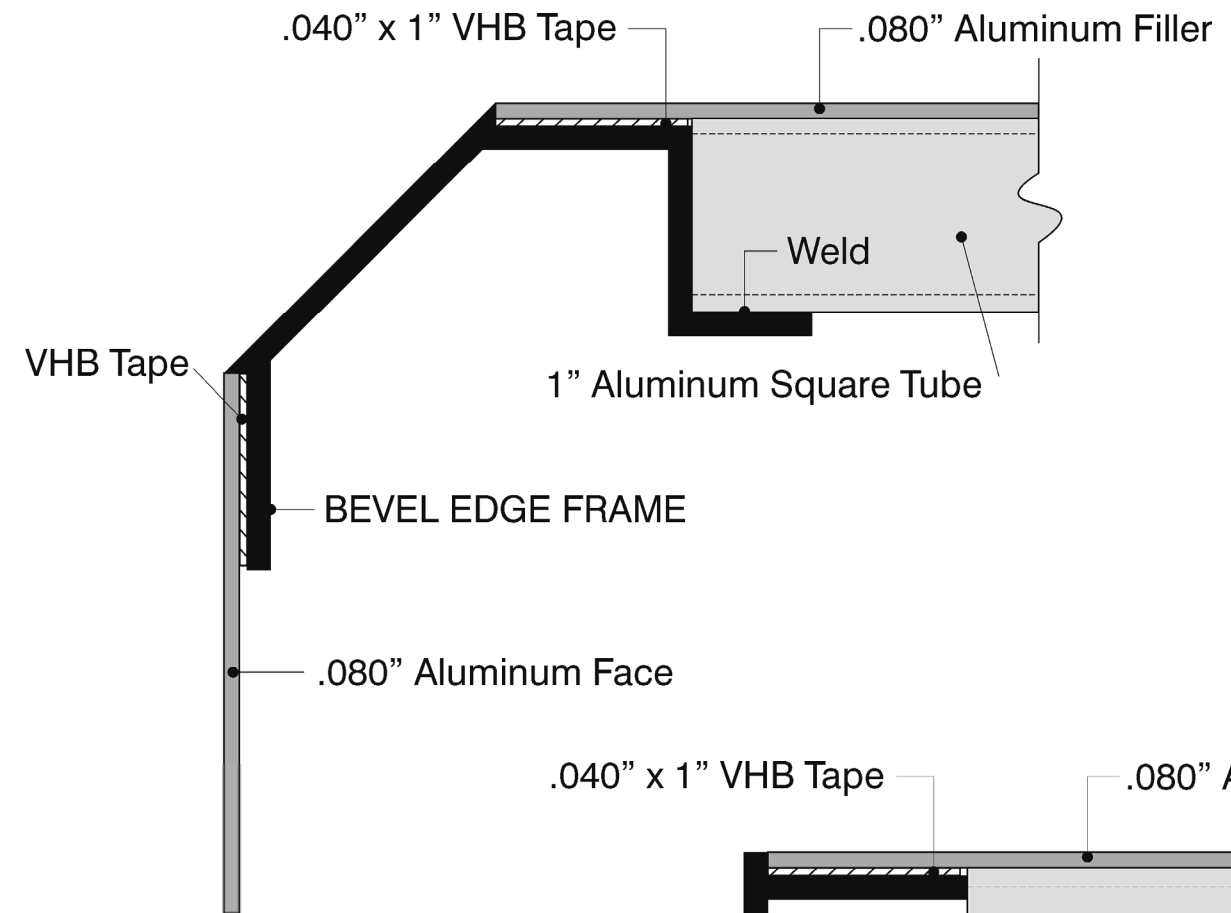
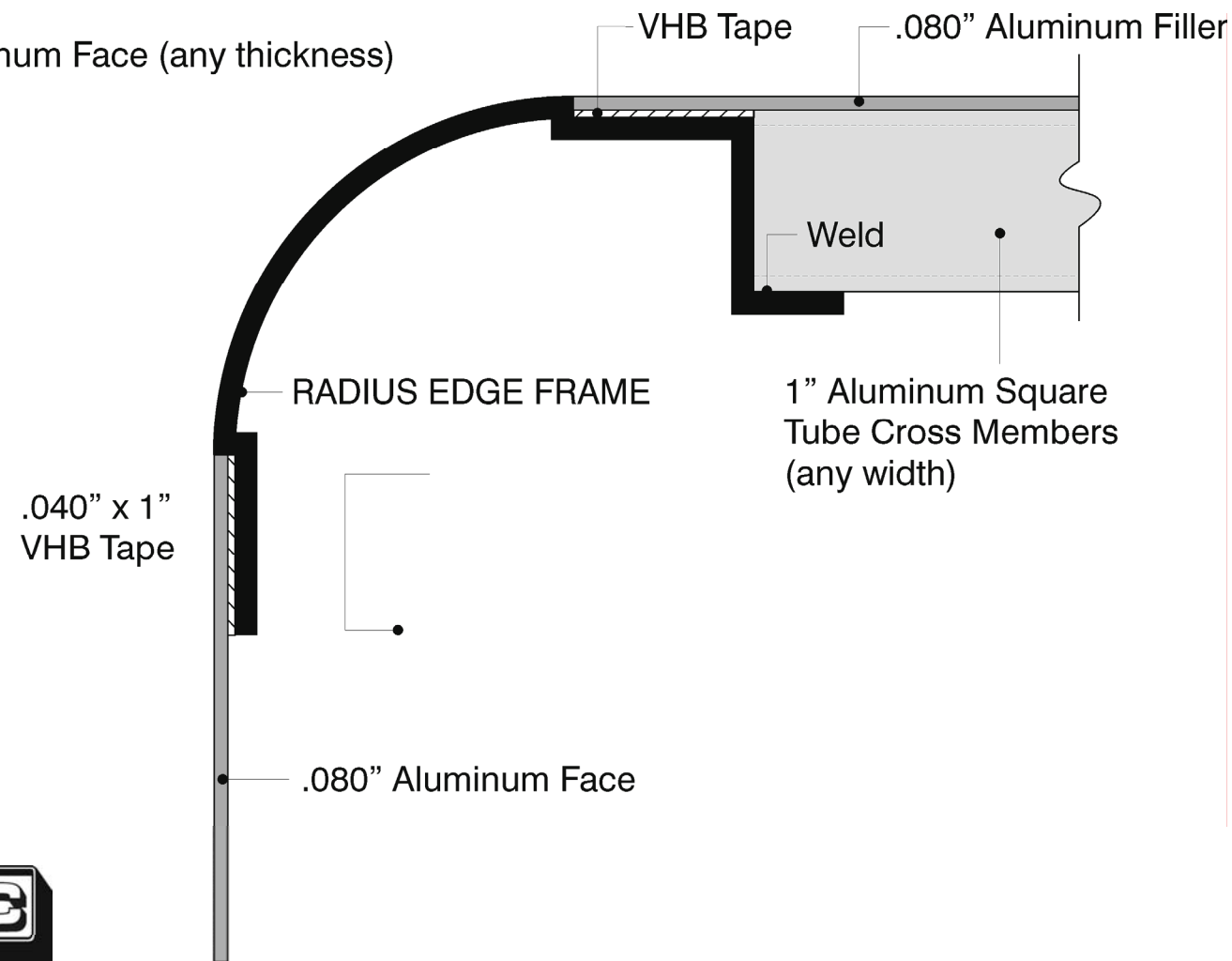
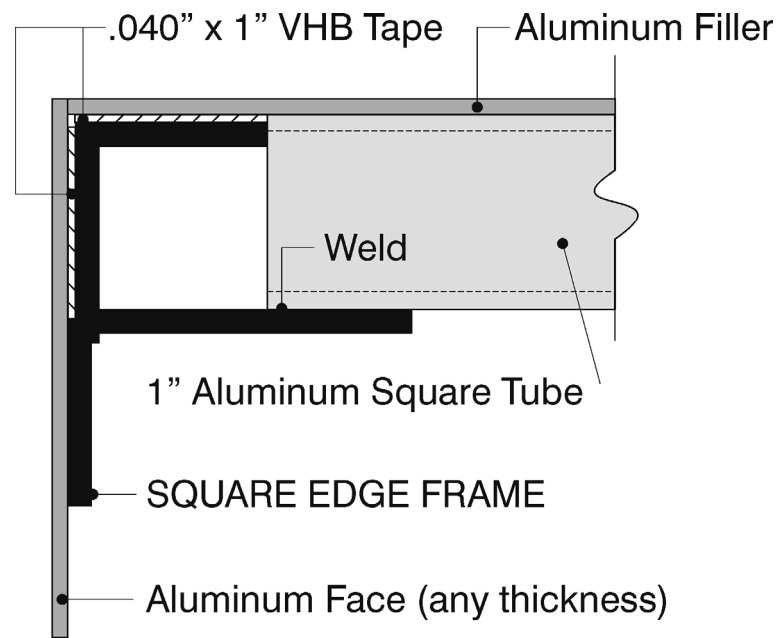
1-800-249-9889



**EXTRUSIONS... The Original - and Still the Best!**  
FAX: 970-482-4019 . 2028 S.E. Frontage Rd., Fort Collins CO 80525

1-800-248-9889

**Architectural Edge Frames  
Full Size Sectionals**



**Question? Call Toll Free: 1.800.248.9889**

All ABC Sign Products parts described on this page are covered by one or more of the following patents:

**U.S.** 4,007,522 4,265,039

**CANADIAN** 1,021,565 1,170,049 1,149,159 1,170,050 1,170,048