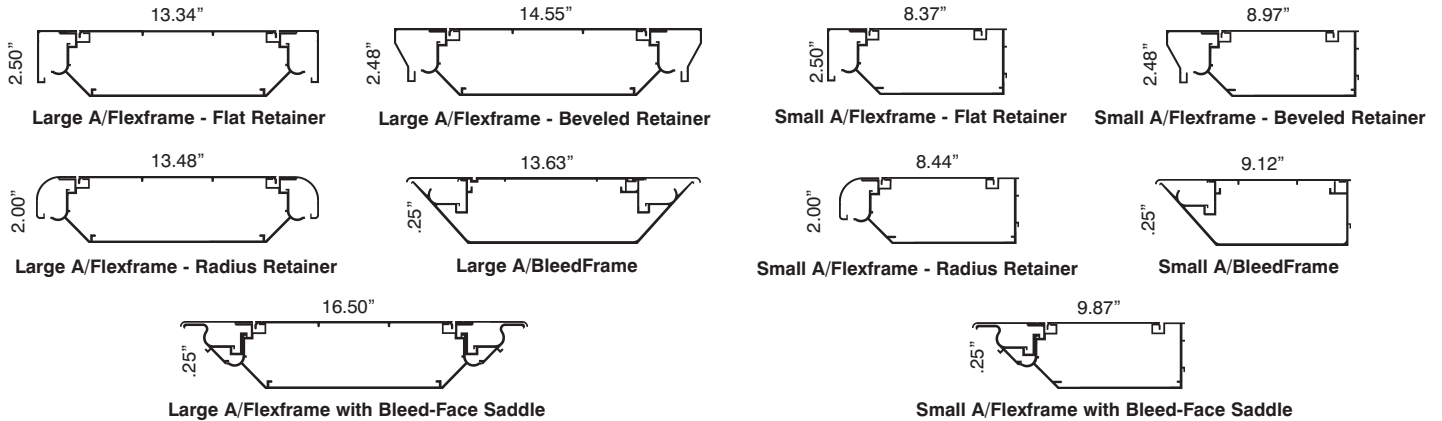


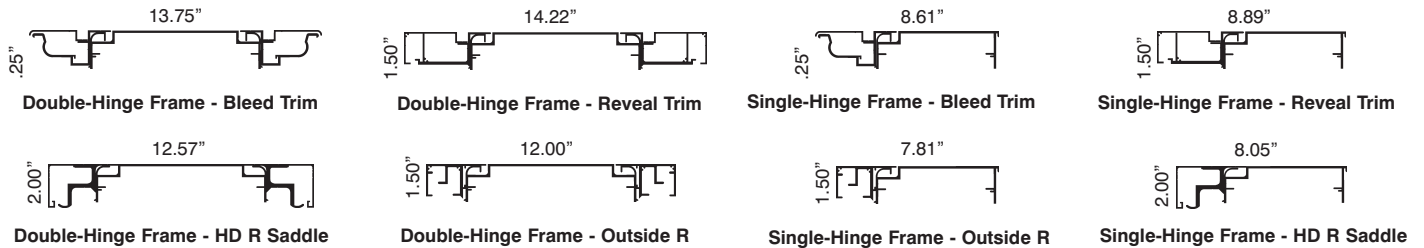
ABC Sign Products, Inc.

Frame Systems with Dimensions

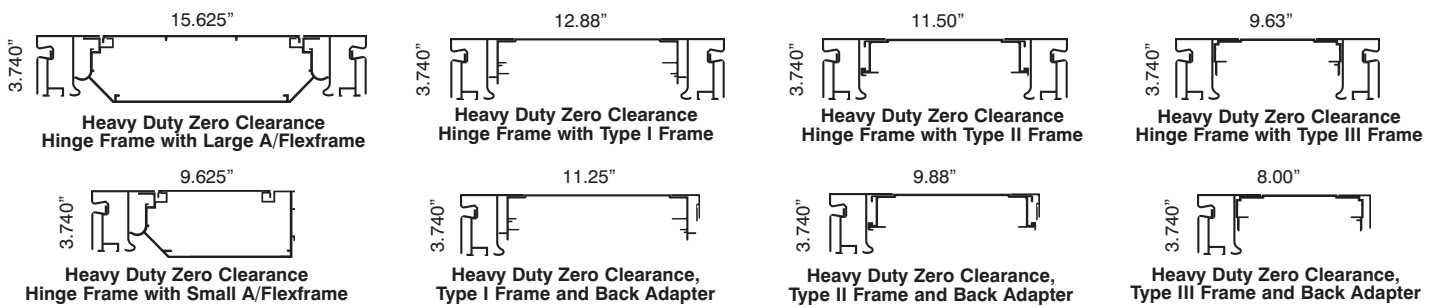
ACCESS FRAMES



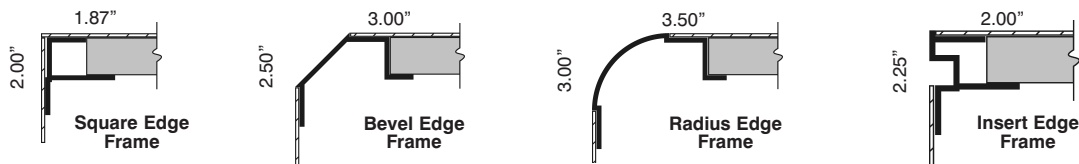
HINGE FRAMES



ZERO CLEARANCE HINGE FRAMES



ARCHITECTURAL FRAME COMPONENTS



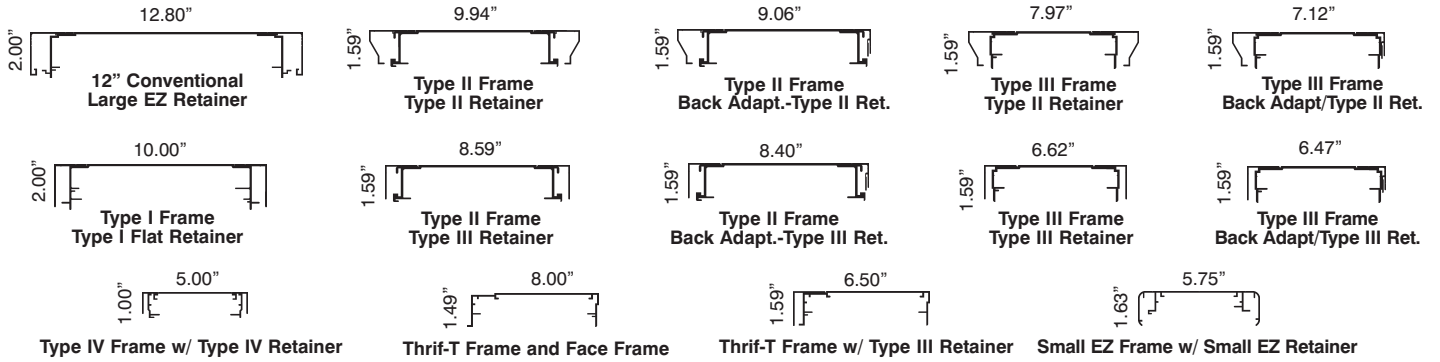
Regional Shipping
Locations to
Save You Money

(800) 248-9889
www.abcsignproducts.com

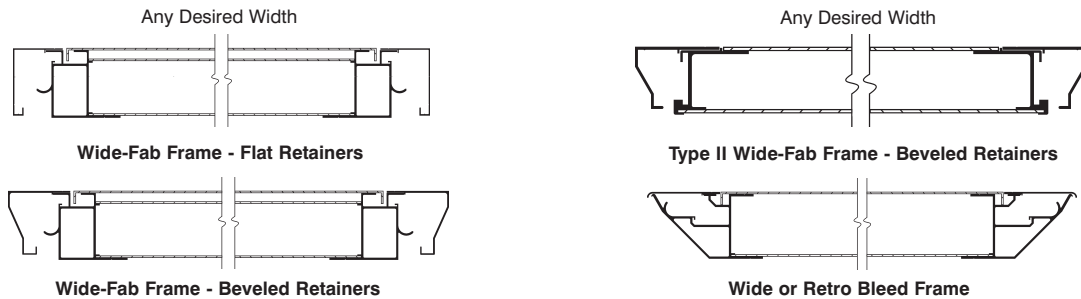


ABC Sign Products, Inc. Frame Systems with Dimensions

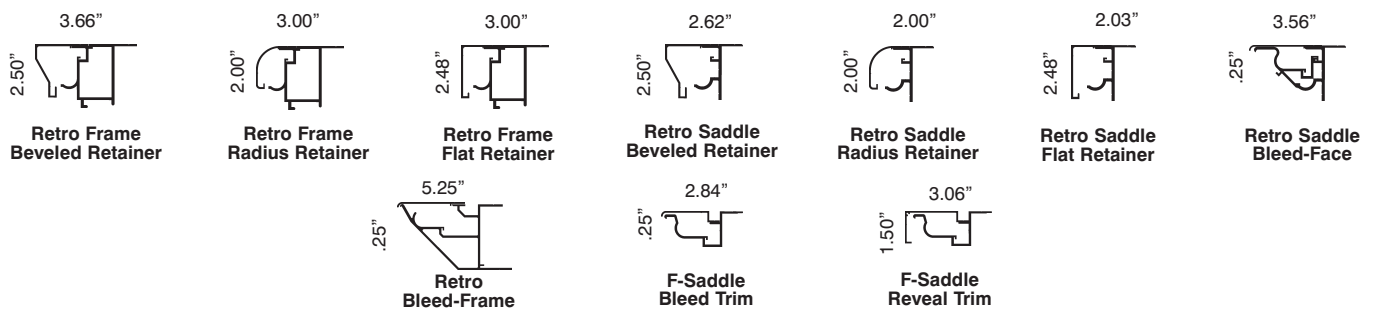
CONVENTIONAL FRAMES



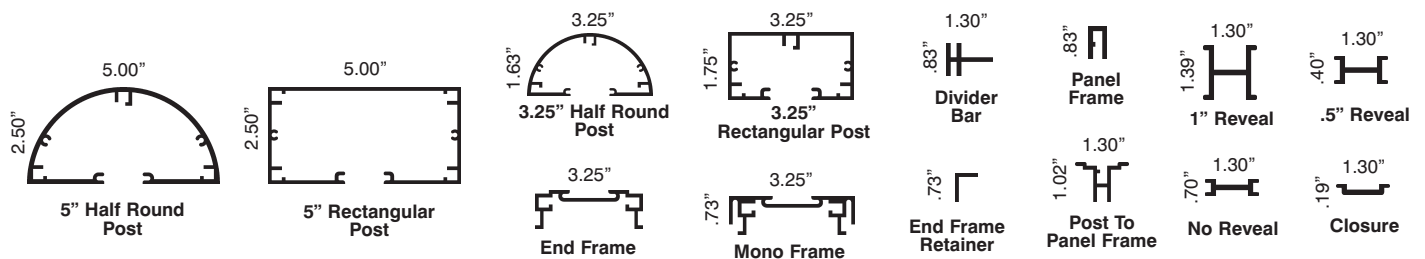
WIDE-FAB FRAMES



RETRO FRAMES



POST AND PANEL COMPONENTS



Regional Shipping
Locations to
Save You Money

(800) 248-9889
www.abcsignproducts.com

