

Wide-Fab Frame, Wide- or Retro Frame

ABC's "Easy Sheet" series on building extruded aluminum sign frames - 3/06

6

Wide-Fab construction is a technique developed by ABC Sign Products to build signs of virtually any size and face-to-face depth. This technique is used when very large pipes must pass through the sign, or even to allow a man to enter the sign for service work. Such signs can also be built in sections, using the Flex-Joint on abutting sides. (see Easy Sheet 12).

To up-date the technique (which formerly used the Small A/Flexframe in tandem) ABC developed several new variations of Wide-Fab Frame components in 1992. The illustration on this page shows the WIDE FAB FRAME, with the Flat Retainer on the left half of the illustration, and the WIDEFAB BLEED-FRAME, with the Large Bleed Trim on the right half of the illustration.

The two Frames are spaced any width apart by heavy angle iron cross members at each corner, and at each strut and support column position. The Frames are bolted to

each end of the angle iron cross members with 1-1/2" x 1/2" bolts with washers. Normally, on very large signs, the angle iron cross members should be 4-0' on center, maximum, around the perimeter of the sign. The ends of the angle iron should be flush with the bottom of the frame, and cut at a 45 degree angle to prevent any shadows on the faces. Vertical or horizontal struts should be used approximately 6'-8' on center, maximum.

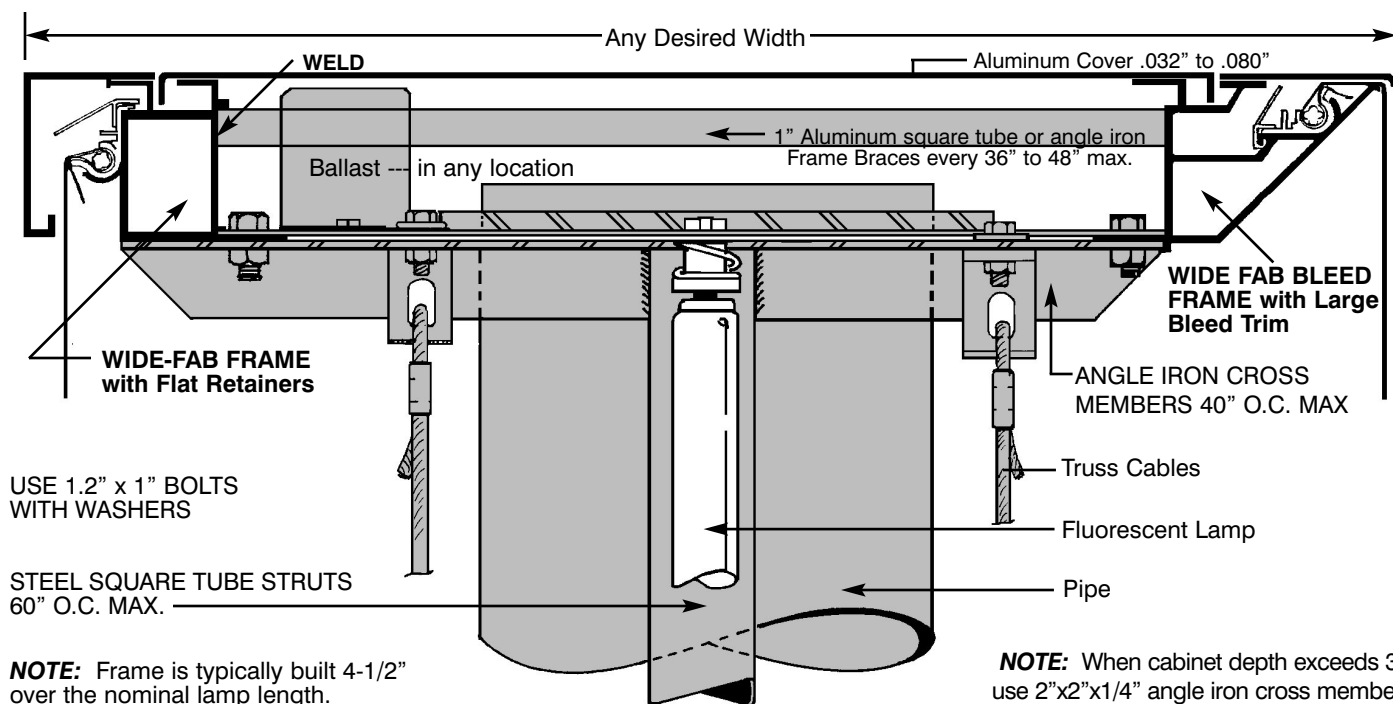
To build a sign using this technique, cut two identical perimeter frames of the WideFab Frame of your choice. Bolt the cross members in place to form all sides of the tandem frame. Before welding the corners, shear the inside wireway cover, to which the lamp sockets mount, of .063 or .080 aluminum. The lamp socket holes are punched on whatever centers are required, and the cover is then inserted into the slots at the bottom of the frame and stitch-welded at frequent intervals.

The corners are then welded. Radius corners may be fabricated by kerfing and rolling the frames. (see Easy Sheet #8)

1" aluminum square tube or angle Frame Braces are placed at the corners, and at least every 48" around the perimeter of the frame, and welded as illustrated. These Frame Braces are important to prevent the frame from spreading open when the Covers are removed for service access.

Make the Cover of aluminum sheet, with a 90 degree flange turned into the drain channel of the opposing frames. Attach the Cover with #7 metal screws, not more than 24" on center, to be opened for service access all around the perimeter of the sign.

This construction is very strong, and of high quality, yet is somewhat less expensive than all steel construction for a given size sign, engineered for flexible faces and to meet U.L. wiring requirements. Covers should be spliced at approximately 8' intervals to make them manageable.



Cross Section of Wide-Fab Frame Construction

Please contact ABC if you have any questions:
2028 SE Frontage Road, Fort Collins, Colorado 80525
Toll-Free: 800-248-9889 Fax: 970-482-4019 Email: abcsigns@abcsignproducts.com

The parts described on this page are covered by one or more of the following patents:
U.S. 4,007,552 4,265,039
CANADIAN 1,021,565 1,149,159 1,170,048 1,170,049 1,170,050



Wide-Fab Type II and Hingeable Frames

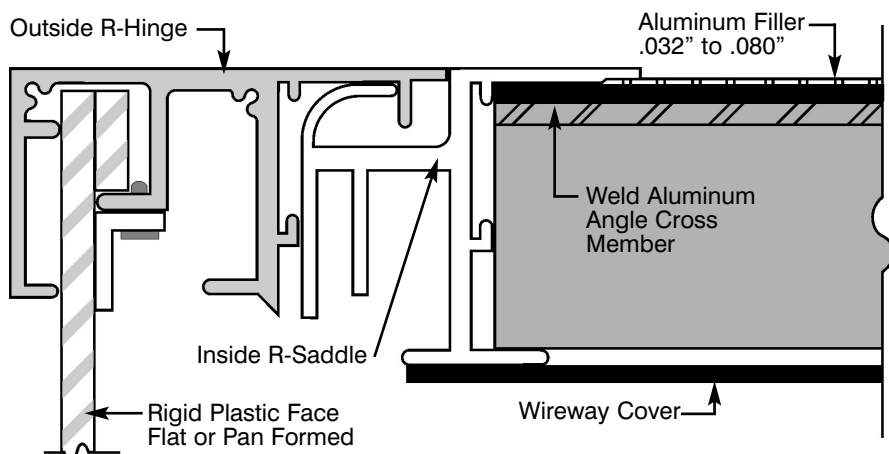
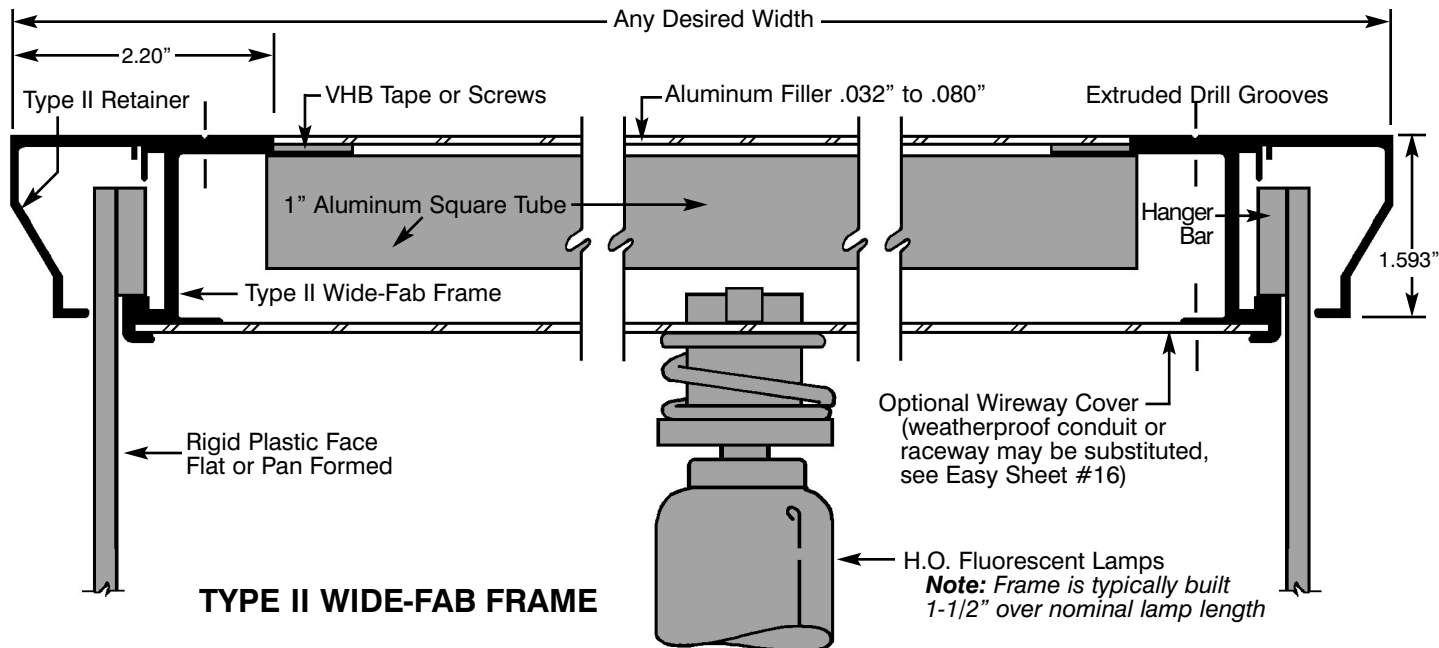
ABC's "Easy Sheet" series on building extruded aluminum sign frames - 1/01

For medium size signs with rigid plastic faces, which require wide face-to-face dimensions, ABC has produced a light weight, Wide-Fab component based upon using the outer section of ABC's popular TYPE II Frame.

All the interchangeable Retainers, Back Adapter and Divider bars which fit ABC's Type II Conventional frame may also be used in the Wide-Fab version, making it more versatile. ABC recommends using this frame for signs with vertical dimensions of 62" or less.

Construction is simple, similar to the more complete description on the opposite side of this page., and as illustrated below.

NOTE: The Type II Wide-Fab Frame is recommended only for small to medium sized signs which require a depth greater than 12", (60 sq.ft. maximum).



HINGEABLE VERSION

The Inside R-Saddle was made to also be used with aluminum square tube cross members to build wide-fab frames in the same manner as the TYPE II Wide-Frame illustrated above.

To build the outer, hinged face frame, the Outside R-Hinge is used only on the top of the sign, and the Outside R-Saddle is used on the sides and bottom.

ABC's F-Hinge and F-Saddle Components can be used for the outer frame when flexible faces are desired.

NOTE: This technique is recommended only for small to medium size signs which require extra depth. Use maximum size guidelines for Type II Wide-Fab above.

Please contact ABC if you have any questions:

2028 SE Frontage Road, Fort Collins, Colorado 80525

Toll-Free: 800-248-9889 Fax: 970-482-4019 Email: abcsigns@abcsignproducts.com

The parts described on this page are covered by one or more of the following patents:

U.S.	4,007,552	4,265,039			
CANADIAN	1,021,565	1,149,159	1,170,048	1,170,049	1,170,050

